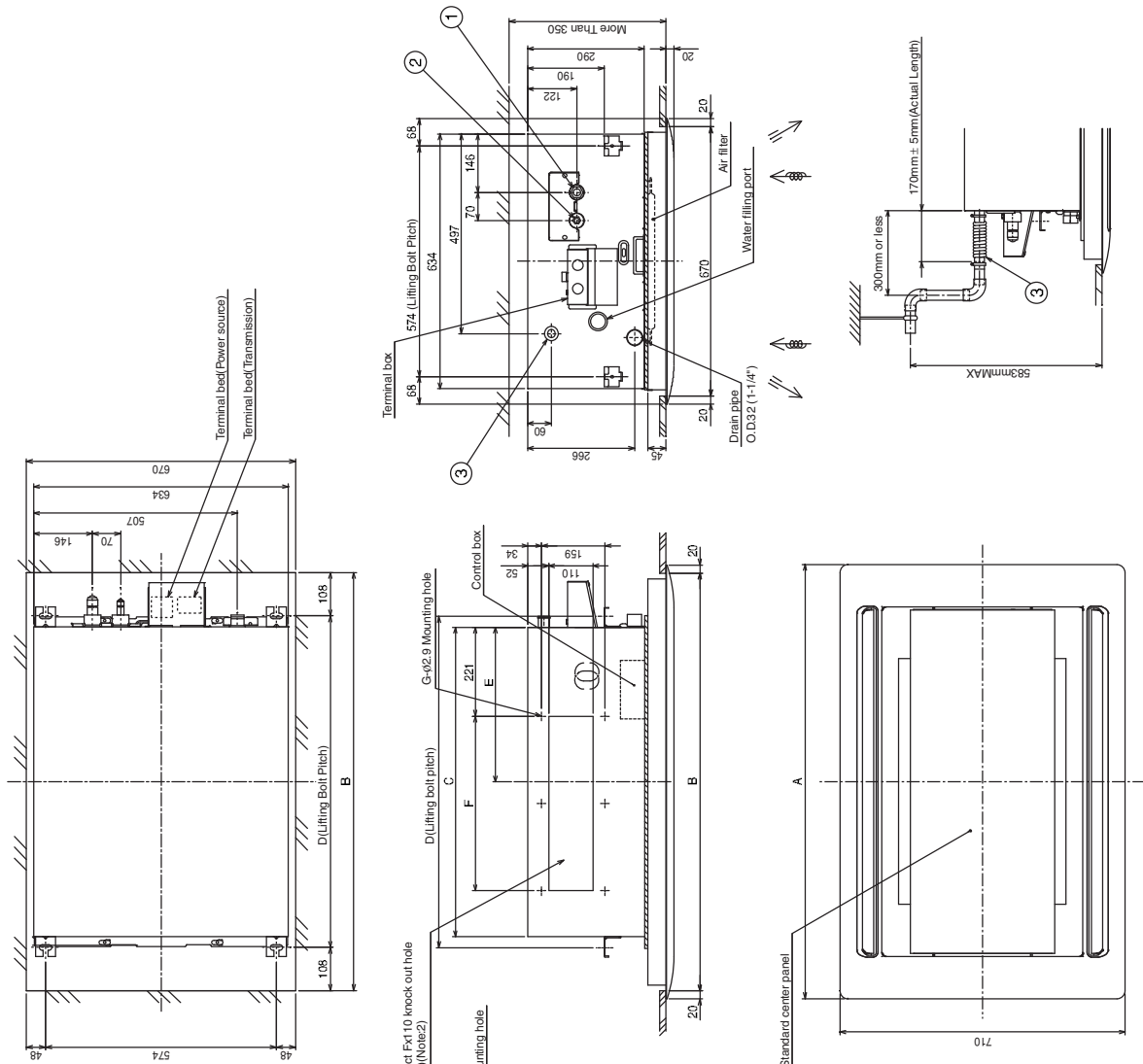


PLFY-P20,25,32,40,50,63,80,100VLM-D-E

Drw. : IU-W275-920
Unit : mm



Note: 1. Use M10 screw for the lifting bolt (field supply).
2. It is available to connect the branch duct on right and left side both.

Model	Gas pipe ①
20-25-32-40	Liquid pipe ②
Model	Gas pipe ①
50	Liquid pipe ②
Model	Gas pipe ①
63-80	Liquid pipe ②
Model	Gas pipe ①
100	Liquid pipe ②
Drain hose	I.D. 32 (1-1/4") <flexible joint> (accessory) ③

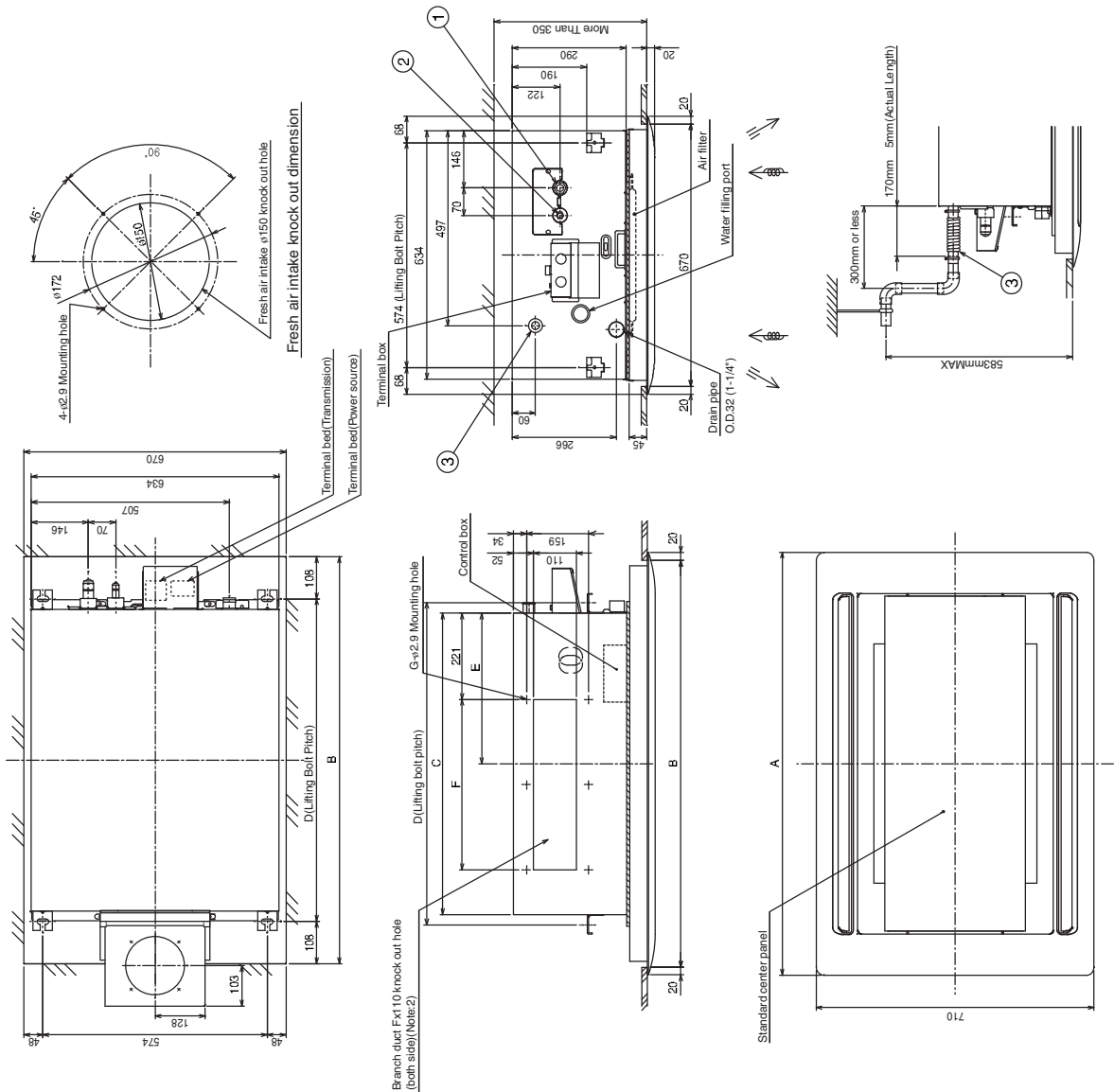
Model	A	B	C	D	E	F	G	H(Liquid)	H(Gas)
PLFY-P20VLM-D-E	1080	1040	776	824	388	217.5x2 =435	6	17	27
PLFY-P25VLM-D-E									
PLFY-P32VLM-D-E									
PLFY-P40VLM-D-E									
PLFY-P50VLM-D-E	1250	1210	946	994	473	188.5x4	10	22	29
PLFY-P63VLM-D-E									
PLFY-P80VLM-D-E	1750	1710	1446	1494	723	188.5x4 =754	10	22	36
PLFY-P100VLM-D-E									

PLFY

2. EXTERNAL DIMENSIONS

PLFY-P20,25,32,40,50,63,80,100VLM-D-E with OA duct flange

Drw. : IU-W275-920-1
Unit : mm



Note: 1. Use M10 screw for the lifting bolt (field supply).
 2. It is available to connect the branch duct on right and left side both.

Model	Gas pipe	<flare>	①
20-25-32-40	Liquid pipe	φ12.7	②
		φ6.35	②
Model	Gas pipe	φ12.7	①
50	Liquid pipe	φ6.35	②
Model	Gas pipe	φ15.88	①
63-80	Liquid pipe	φ9.52	②
Model	Gas pipe	φ15.88	①
100	Liquid pipe	φ9.52	②
Drain hose	I.D. 32 (1-1/4") <flexible joint> (accessory)		③

Model	A	B	C	D	E	F	G
PLFY-P20VLM-D-E							
PLFY-P25VLM-D-E							
PLFY-P32VLM-D-E	1080	1040	776	824	388	217.5X2	6
PLFY-P40VLM-D-E						≈435	
PLFY-P50VLM-D-E	1250	1210	946	994	473		
PLFY-P63VLM-D-E							
PLFY-P80VLM-D-E	1750	1710	1446	1494	723	188.5X4	10
PLFY-P100VLM-D-E						≈1734	

PLFY

PLFY-P125VLMD-E

Drw. : IU-W275-921
Unit : mm

PLFY

